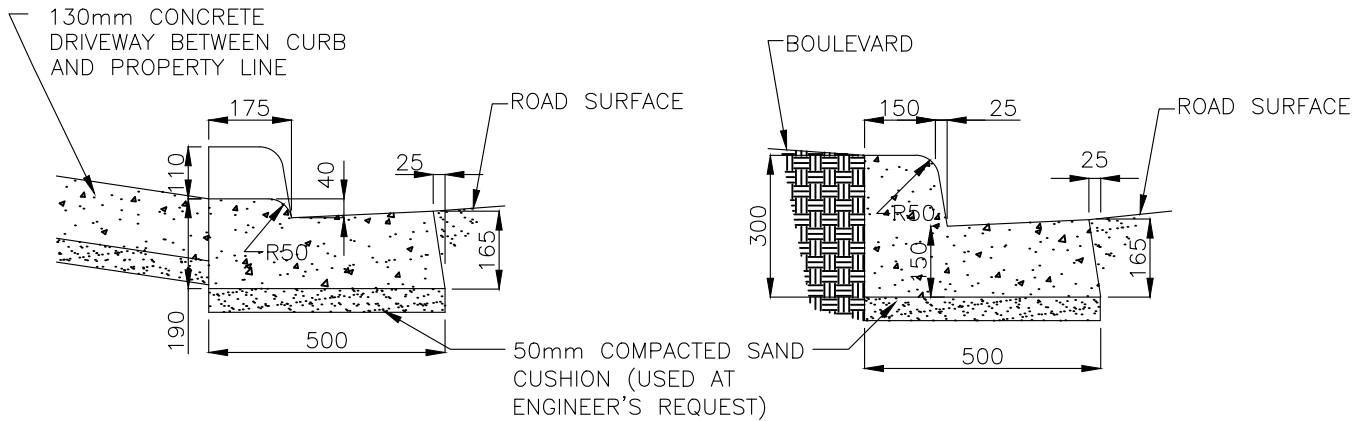


CURB & GUTTER CROSSING



SECTION 'A-A'

SECTION 'B-B'

NOTES

1. CONCRETE COMPRESSIVE STRENGTH = 32 MPa
2. MAXIMUM AGGREGATE SIZE = 20mm
3. MAXIMUM SLUMP = 75mm
4. CONTRACTION JOINTS SHALL BE CONSTRUCTED IN INTERVALS OF 1500mm WITH GROOVES APPROXIMATELY 3mm IN WIDTH AND SHALL EXTEND 1/4 OF THE DEPTH OF THE STRUCTURE
5. CONTRACTION JOINTS SHALL BE CONSTRUCTED IN ALL CROSSINGS AT INTERVALS OF 4000mm OR AT THE CENTRE OF CROSSINGS 6000mm OR LESS IN WIDTH
6. ALL DIMENSIONS ARE GIVEN IN "mm" UNLESS OTHERWISE STATED

| | | | | | |
|-----|----------|-------------------------------|---|--------------------|------------------------------|
| | | | CITY OF PRINCE ALBERT PUBLIC WORKS | | APPROVED <i>Wes Hicks</i> |
| | | | VERTICAL CURB AND GUTTER CROSSING DETAIL | | SCALE |
| 1 | 06/01/18 | SURFACE REPAIR CLARIFICATIONS | DRAWN S. NUMEDAHL | DESIGNED N. MILLER | DWG. No. 00-03-05 |
| No. | DATE | REVISION | DATE OCT. 2014 | | |