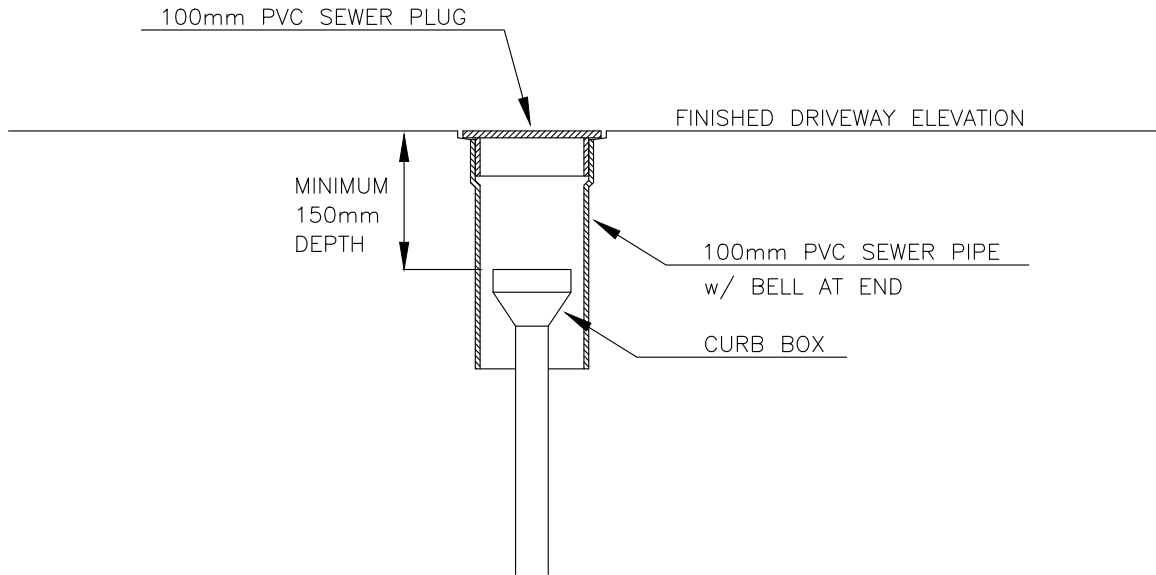
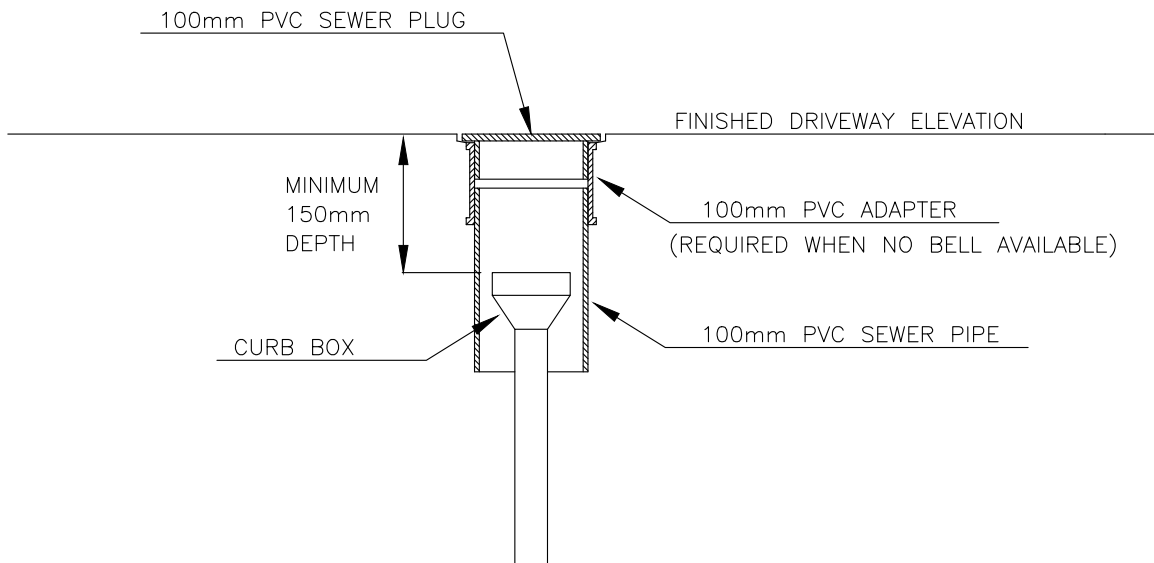


SLEEVE WHEN BELL END IS AVAILABLE



SLEEVE WHEN ADAPTOR IS USED



NOTES

1. PRIOR TO INSTALLING CAP, REMOVE TOP GASKET OF BELL OR ADAPTER

	CITY OF PRINCE ALBERT	APPROVED
	PUBLIC WORKS	<i>Wes Hicks</i>
	PVC SLEEVE SPECIFICATIONS FOR HARD SURFACED DRIVEWAYS	SCALE N.T.S.
No.	DATE	REVISION
	DRAWN S. NUMEDAHL	DESIGNED K. CALLAGHAN
	DATE OCT. 2014	DWG. No. 00-01-14